

KA-A1 Monitor Arm

Monitor Weight: 2, 4, 5.5 kg

Features

- Allows free stop at any position in height, swivel, tilt, and pivot directions.
- Wiring for power, HDMI, and other cables can be routed.
- Supports multiple installation types with separately sold mounting brackets.
- Add an extension arm for double-arm, extended reach (sold separately).
- Uses a mechanical spring mechanism instead of a gas spring for improved reliability.

Notes

- Compliant with chemSHERPA
- Compliant with VESA standard (Hole P75x75mm, 100x100mm)
- Single-arm and double-arm brackets have different part numbers.

Option

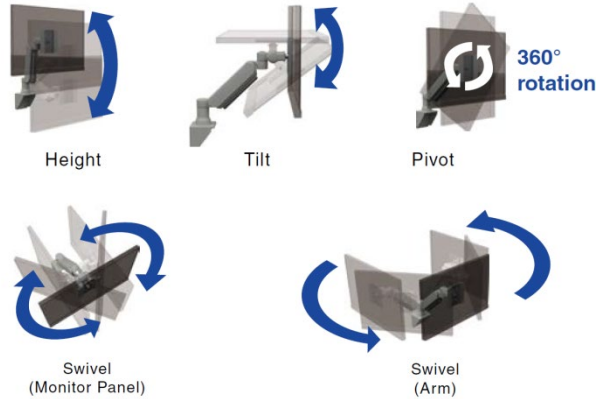
- Pole Stand

Sold Separately

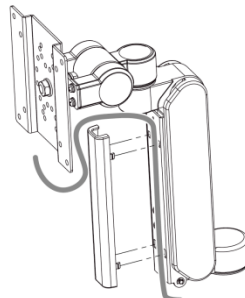
- Bench Mount Bracket
- Wall Mount Bracket
- Pole Mount Bracket
- Bench Clamp Mount Bracket
- Extension Arm



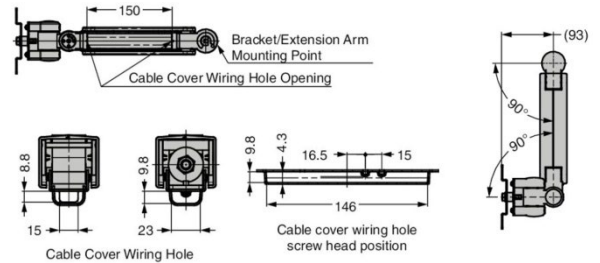
Movable Direction: Stops at any position



Cable Cover Wiring Hole



Wiring can be routed.

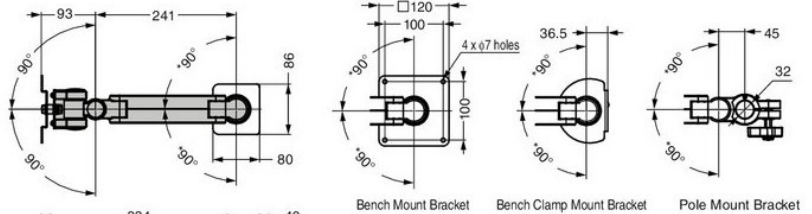


Bracket/Extension Arm Mounting Point
Cable Cover Wiring Hole Opening

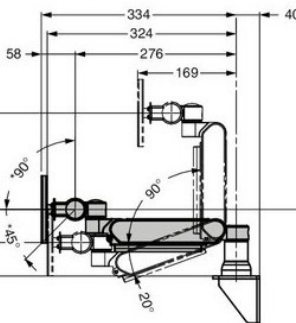
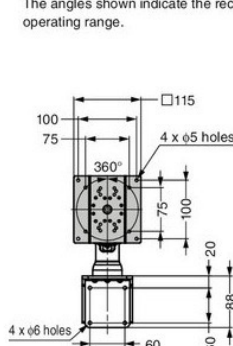
Cable Cover Wiring Hole

Cable cover wiring hole screw head position

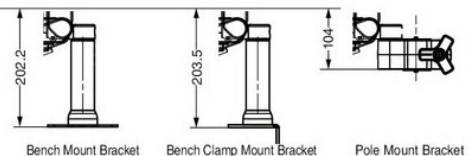
(93)



*There is no stopper limit.
The angles shown indicate the recommended operating range.

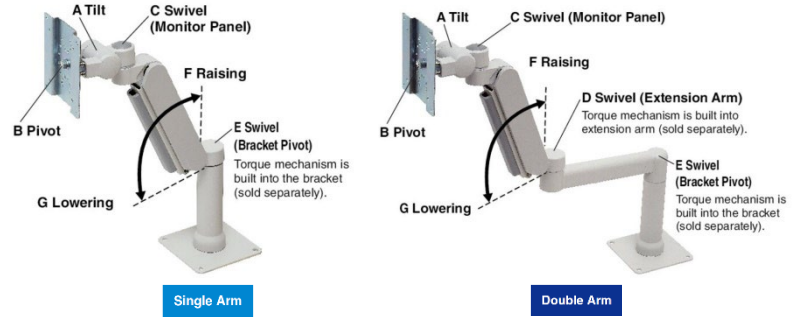


KA-A1 + Wall Mount Bracket



Torque and Operating Force Reference Values

Indicates the torque at each joint and the arm operating force during monitor installation (raising and lowering). Suitable for monitors up to approximately 27 inches.



Item Name	Torque N-m					Operating Force N-m ^{*2}		
	A Tilt	B Pivot	Swivel			Height		
			C Monitor Panel	D Extension Arm ^{*1}	E Bracket Pivot ^{*1}	Monitor weight kg	F Raising	G Lowering
KA-A1-0221-BL	3.6	6	1.5	2	2	2	5.3	6.4
KA-A1-0221-LGR								
KA-A1-0421-BL								
KA-A1-0421-LGR	6	6	1.5	2	2	4	9.4	6.9
KA-A1-0521-BL	8.4	6	1.5	2	2	5.5	13.3	8
KA-A1-0521-LGR								

^{*1} Sold Separately.

^{*2} Operating force values indicate average torque with a monitor mounted. Values may vary depending on monitor size and usage environment. Please use as a reference only.

Monitor Arm

Part No.	Colour	Material	Specifications
KA-A1-0221-BL	Black	Aluminium Alloy (ADC) / ABS Resin / Steel	Monitor weight 2kg± 1kg
KA-A1-0221-LGR	Light Grey		
KA-A1-0421-BL	Black		Monitor weight 4kg± 1kg
KA-A1-0421-LGR	Light Grey		
KA-A1-0521-BL	Black		Monitor weight 5.5kg± 1kg
KA-A1-0521-LGR	Light Grey		

A mounting bracket is required. The arm body alone cannot be installed. Select one of the brackets below according to the mounting method.

KA-A1

Single Arm

Arm Body

Extension Arm

Sold Separately

Not Required

Bracket

Item names differ between single arm and double arm models.

Sold Separately

Available in four types.

Single Arm Select bracket by mounting method.

KA-A1

Double Arm

Arm Body

Extension Arm

Sold Separately

Bracket

Item names differ between single arm and double arm models.

Sold Separately

Available in four types.

Double Arm Select bracket by mounting method.

Extension Arm

Features

- Enables **KA-A1** and **KA-A2** monitor arms to be used in a double-arm configuration
- Wiring can be routed

Parts Included

- Spacer, Angle Control Pin, M6 x 15 screw for Arm Fixation, M6 Spring Washer

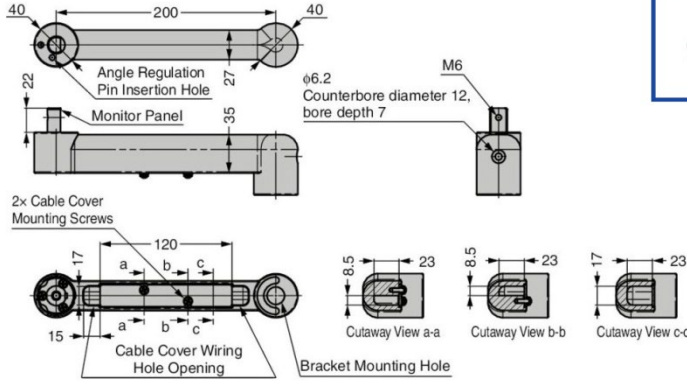


Black

Light Grey

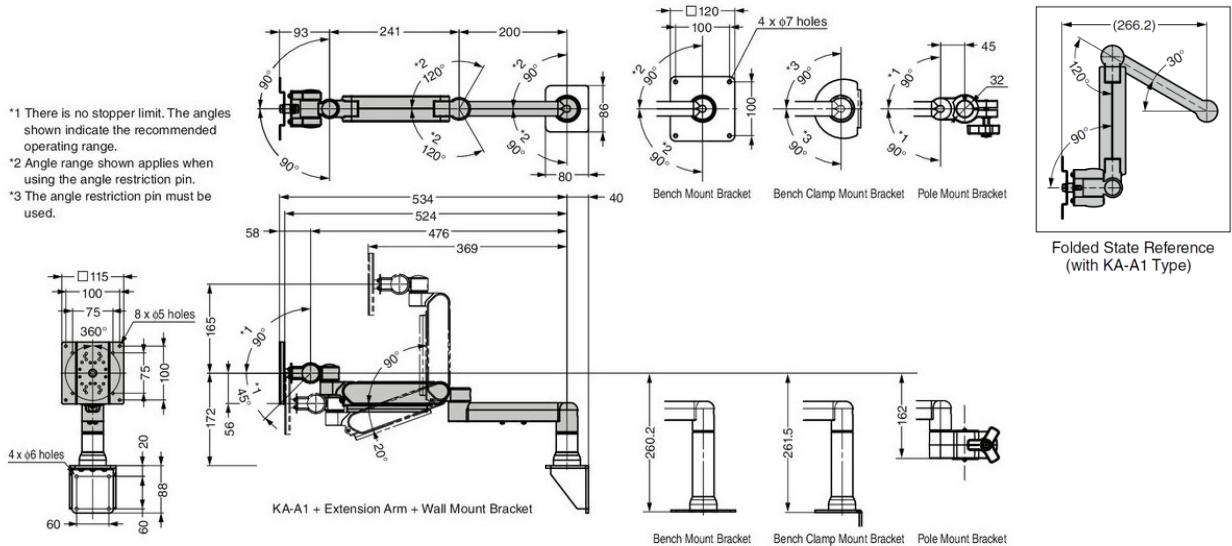


Cable Pass-Through



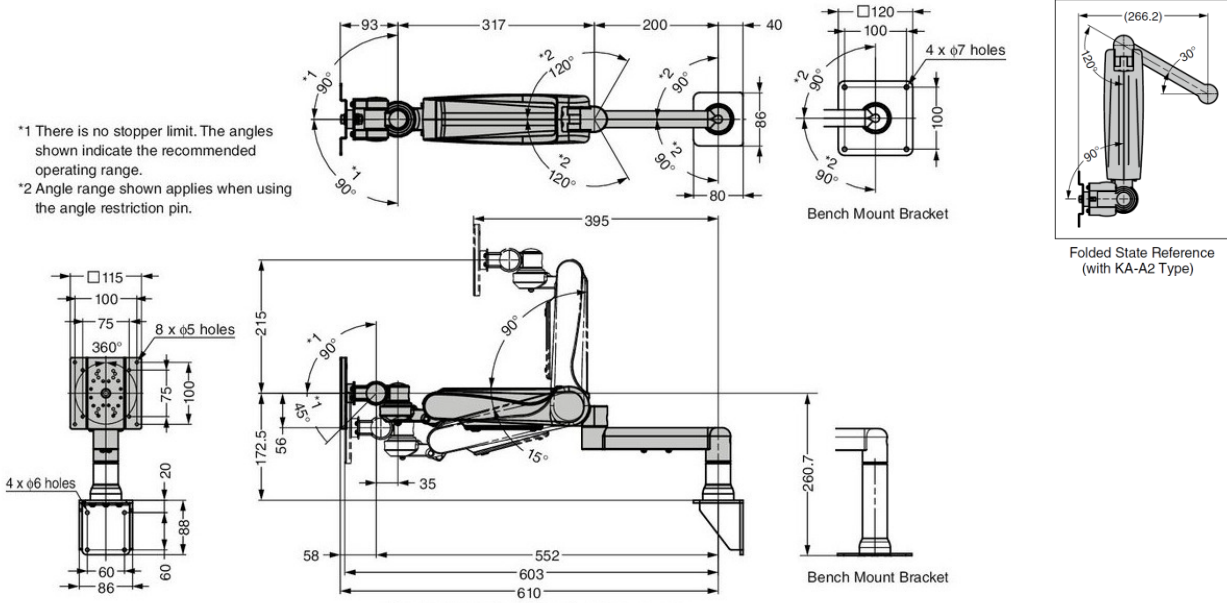
Configuration with KA-A1

- *1 There is no stopper limit. The angles shown indicate the recommended operating range.
- *2 Angle range shown applies when using the angle restriction pin.
- *3 The angle restriction pin must be used.



Configuration with KA-A2

- *1 There is no stopper limit. The angles shown indicate the recommended operating range.
- *2 Angle range shown applies when using the angle restriction pin.



Part No.	Colour	Material	Torque (Swivel)
KA-A1-AD2-BL	Black	Aluminium Alloy (ADC) / Steel	2 N.m.
KA-A1-AD2-LGR	Light Grey		

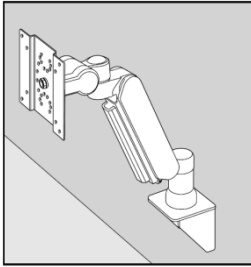
Wall Mount Bracket

Features

- Use with monitor arm **KA-A1** and **KA-A2**

Remarks

- Please install using the spacer included with the arm body
- When combined with single-arm, the angle restriction pin cannot be used
- Single-arm and double-arm brackets have different part numbers



Installation Image

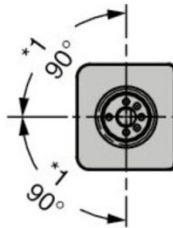


Black (Single Arm)

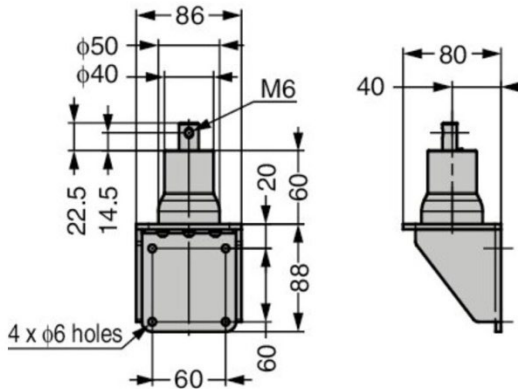
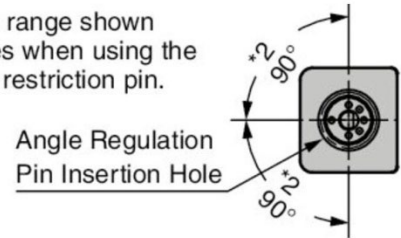


Light Grey (Double Arm)

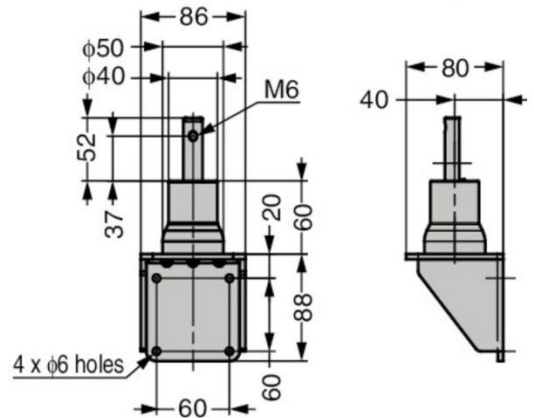
*1 There is no stopper limit. The angles shown indicate the recommended operating range.



*2 Angle range shown applies when using the angle restriction pin.



Single Arm



Double Arm

Part No.	Type	Colour	Material	Torque (Swivel)
KA-A1-2W1-BL	Single Arm	Black	Aluminium Alloy (ADC) / Steel	2 N.m.
KA-A1-2W1-LGR		Light Grey		
KA-A1-3W1-BL	Double Arm	Black		
KA-A1-3W1-LGR		Light Grey		

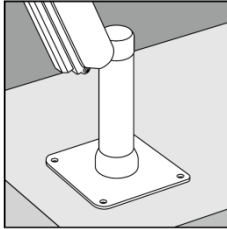
Bench Mount Bracket

Features

- Use with monitor arm **KA-A1** and **KA-A2**

Remarks

- Please install using the spacer included with the arm body
- When combined with single-arm, the angle restriction pin cannot be used
- Single-arm and double-arm brackets have different part numbers



Installation Image

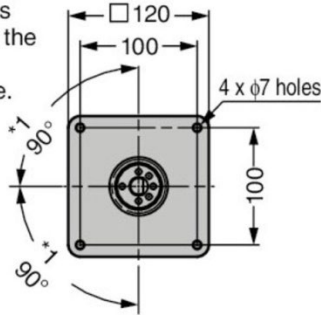


Black (Single Arm)

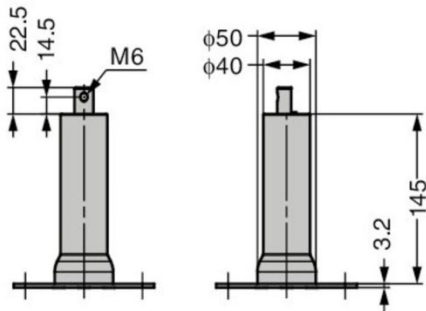
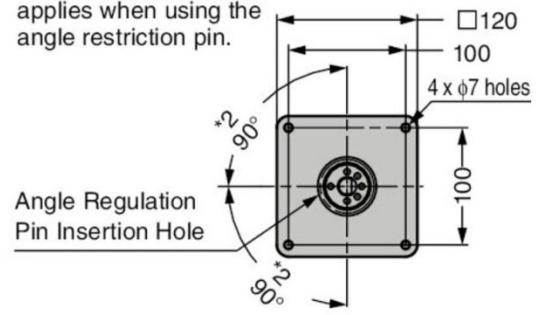


Light Grey (Double Arm)

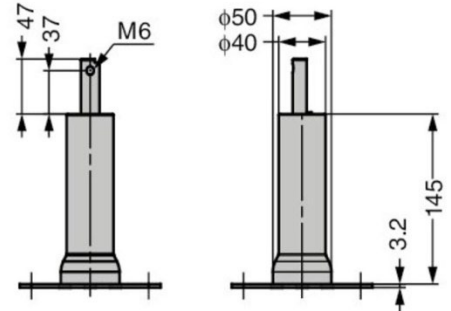
*1 There is no stopper limit. The angles shown indicate the recommended operating range.



*2 Angle range shown applies when using the angle restriction pin.



Single Arm



Double Arm

Part No.	Type	Colour	Material	Torque (Swivel)
KA-A1-2T1-BL	Single Arm	Black	Aluminium Alloy (ADC) / Steel	2 N.m.
KA-A1-2T1-LGR		Light Grey		
KA-A1-3T1-BL	Double Arm	Black		
KA-A1-3T1-LGR		Light Grey		

Pole Mount Bracket & Pole Stand

For KA-A1

Features

- Use with monitor arm **KA-A1**

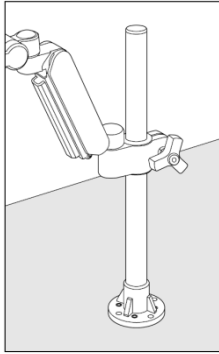
Remarks

- Please install using the spacer included with the arm body
- Single-arm and double-arm brackets have different part numbers
- Not compatible with **KA-A2**
- The Pole Mount Bracket does not have angle regulation

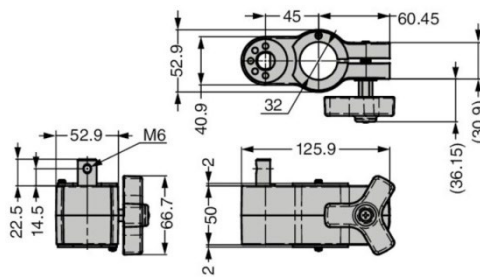
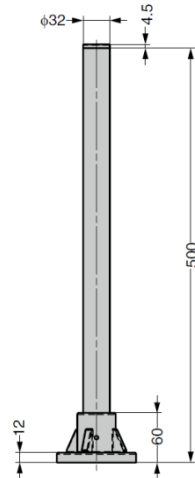
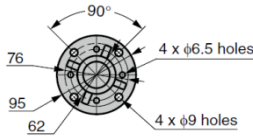


Black
(Single Arm)

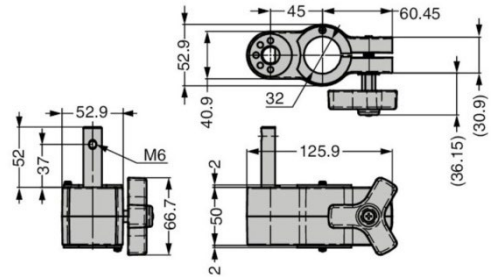
Light Grey
(Double Arm)



Installation Image



Pole Mount Bracket for Single Arm



Pole Mount Bracket for Double Arm

Pole Mount Bracket

Part No.	Type	Colour	Material	Applicable Pipe Diameter	Torque (Swivel)
KA-A1-2P1-BL	Single Arm	Black	Aluminium Alloy (ADC) / ABS Resin / Steel	32	2 N.m.
KA-A1-2P1-LGR		Light Grey			
KA-A1-3P1-BL	Double Arm	Black			
KA-A1-3P1-LGR		Light Grey			

Pole Stand

Part No.	Colour	Material	Pipe Length	Pipe Diameter
KA-A1-PS32-500-BL	Black	Stainless Steel / Aluminium Alloy (ADC)	500	32
KA-A1-PS32-500-LGR	Light Grey			

Bench Clamp Mount Bracket

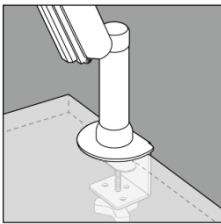
For KA-A1

Features

- Use with monitor arm **KA-A1**

Remarks

- Please install using the spacer included with the arm body
- When combined with single-arm, the angle restriction pin cannot be used
- Single-arm and double-arm brackets have different part numbers
- Not compatible with **KA-A2**
- Do not mount the arm on the side where the clamp opens.
- For use with monitors under 8kg
- When used in a double-arm configuration, the angle restriction pin must be used



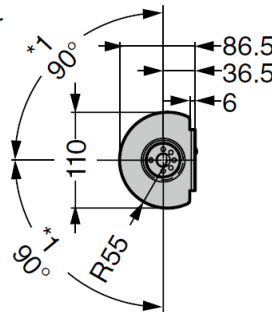
Installation Image



Black (Single Arm)

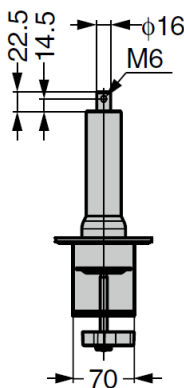
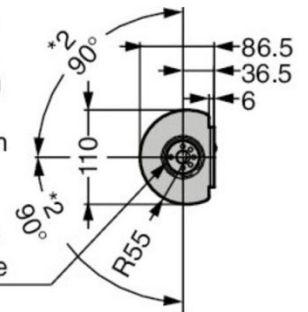
Light Grey (Double Arm)

*1 There is no stopper limit.



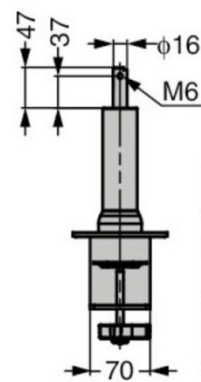
*2 Angle range shown applies when using the angle restriction pin. The angle restriction pin must be used.

Angle Regulation Pin Insertion Hole



Mounting Surface Thickness

Single Arm



Mounting Surface Thickness

Double Arm

Part No.	Type	Colour	Material	Torque (Swivel)
KA-A1-2C1-BL	Single Arm	Black	Aluminium Alloy (ADC) / ABS Resin / Steel	2 N.m.
KA-A1-2C1-LGR		Light Grey		
KA-A1-3C1-BL	Double Arm	Black		
KA-A1-3C1-LGR		Light Grey		